



**YOUR
PARTNER IN
Clean™**



KÄRCHER WINTER ARTICULATING TRUCK ATTACHMENTS

FOR MUNICIPAL EQUIPMENT

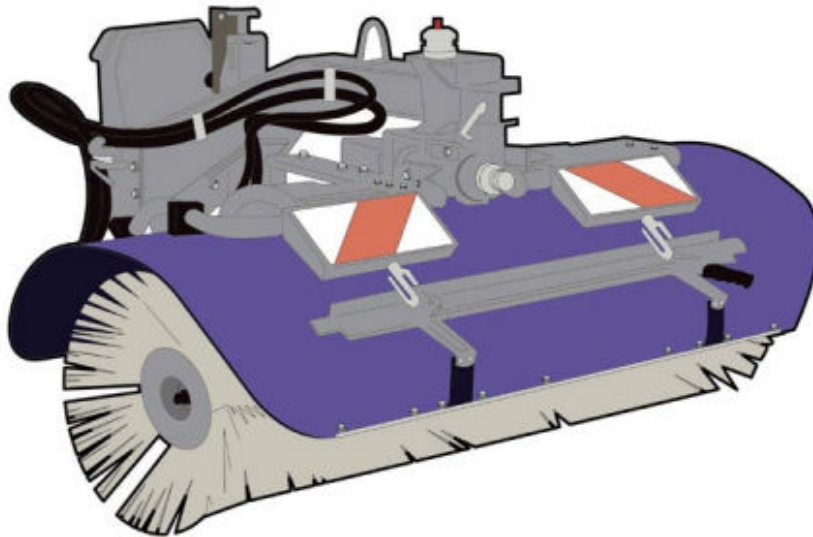
800-262-4360 | www.americhem.net

MADE TO TACKLE ANY WINTER TASK



HYDRAULIC SWEEPER

Sweep like a professional. Ensure perfect sweeping results in both summer and winter, with this compact hydraulic sweeper.



Technical Data	SDC-055-01	SDC-059-01
Total Width	57" (1,447 mm)	61" (1,550 mm)
Clearing Width Straight	55" (1,400 mm)	59" (1,500 mm)
Clearing Width Angled	59" (1,500 mm) at 26°	63" (1,600 mm) at 32°
Turning Angle (L/R)	26°	32°
Oscillation	No	18°
Transport Height	29" (735 mm)	41" (1,050 mm)
Brush Diameter	22" (550 mm)	24" (600 mm)
Brush Material	Polypropylene	
Weight	260 lb (118 kg)	529 lb (240 kg)
Torque to the Shaft	147 lb*f (200 Nm)	479 lb*f (650 Nm)
Power Requirements	Flow divider 1 or high flow pump 6.6 gpm (25 l/min)	High flow pump 10 gpm (40 l/min)



Standard Features:

- Adjustable broom cover
- Only for SCD-059-01: castor wheel

Available Options:

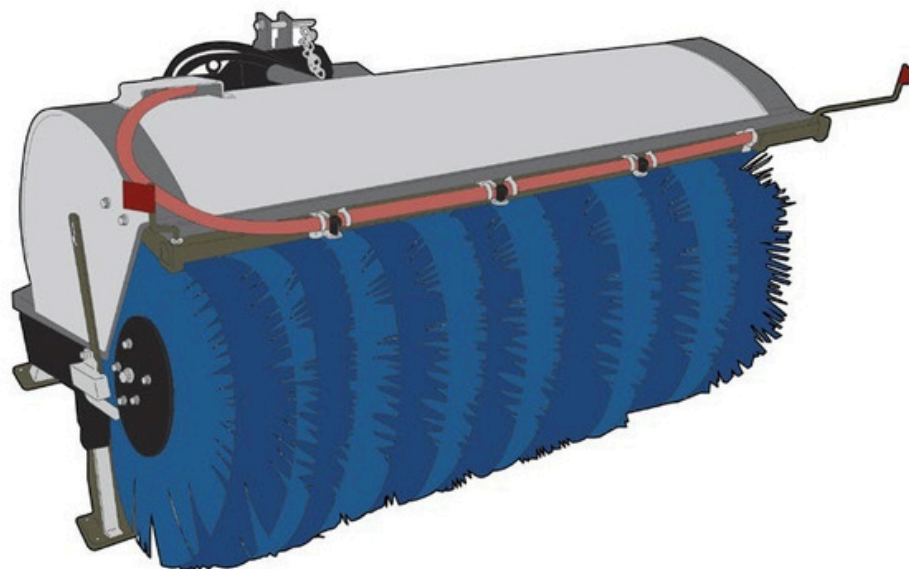
- Only for SCD-059-01: wet kit (spray nozzles electrical pump) (regular water tank is required)

Compatible Machines:

- SDC-055-01: C70 – C270 – S75
- SDC-059-01: C70 – C270 – S75 – S100

PTO DRIVEN SWEEPER

Sweep in any season. This versatile sweeper is ideal in any situation. Effortlessly sweep away salt, dirt, snow and other debris. Sweeping width options from 48" to 60".



Technical Data	SPT-048-02	SPT-060-02	SPT-072-02
Total Width	53" (1,346 mm)	65" (1,651 mm)	77" (1,955 mm)
Clearing Width Straight	48" (1,219 mm)	60" (1,524 mm)	72" (1,828 mm)
Clearing Width Angled 30°	42" (1,066 mm)	52" (1,320 mm)	62" (1,574 mm)
Height	38" (965 mm)		
Brush Diameter	32" (812 mm)		
Swing Angle	30°		
Drive Assembly	Side Drive via Gearbox & Chain		
Type	Mechanical		
Weight	685 lb (310 kg)	780 lb (353 kg)	860 lb (390 kg)
Power Requirements	40 HP (30 kW)		
Tractor Fit (Holder)	C70 – C270	C70 – C270 – C992 – S75 – S100 – S130	C992 – S75 – S100 – S130



Standard Features:

- PU cowling
- Parking legs
- Poly steel combination brushes
- Water spray bar
- Water pump
- Adapter plate for wheel kit

Available Options:

- Stainless steel or steel cowling
- Wheel kit
- Hydraulic driven models available

Tractor Requirements:

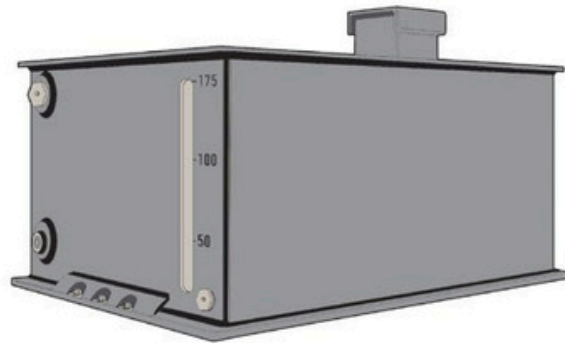
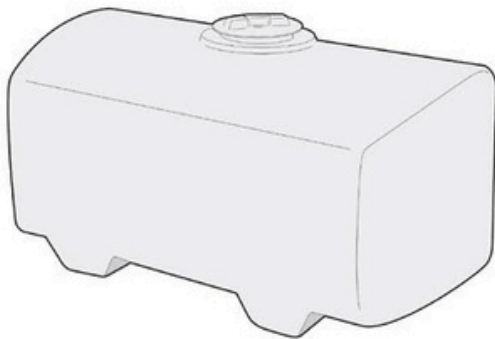
- CAT I | CAT II (3-point hitch)

Compatible Machines:

- SPT-048-02: C70 – C270
- SPT-060-02: C70 – C270 – S75 – S100 – S130
- SPT-072-02: S75 – S100 – S130

WATER TANKS

Whether you're sweeping and cleaning, watering greenery, or de-icing, these water tanks will allow you to accomplish any of those tasks. Transport water, brine, liquid de-icer, and more with ease. Holder C 70 water tanks range from 100 gallons (440 litres) to 175 gallons (771 litres).



Technical Data	SPT-048-02	SPT-060-02	SPT-072-02
Total Width	53" (1,346 mm)	65" (1,651 mm)	77" (1,955 mm)
Clearing Width Straight	48" (1,219 mm)	60" (1,524 mm)	72" (1,828 mm)
Clearing Width Angled 30°	42" (1,066 mm)	52" (1,320 mm)	62" (1,574 mm)
Height	38" (965 mm)		
Brush Diameter	32" (812 mm)		
Swing Angle	30°		
Drive Assembly	Side Drive via Gearbox & Chain		
Type	Mechanical		
Weight	685 lb (310 kg)	780 lb (353 kg)	860 lb (390 kg)
Power Requirements	40 HP (30 kW)		
Tractor Fit (Holder)	C70 – C270	C70 – C270 – C992 – S75 – S100 – S130	C992 – S75 – S100 – S130



Standard features (WTA-100-01):

- Hose connections

Mounting options (WTA-100-01):

- In the dump body (*frame required*)
- On the platform (*frame required*)

Frame options (WTA-100-01):

- WTF-100-01 (*dump body mount*)
- WTF-100-02 (*platform mount*)

Tractor requirements (WTA-100-01):

- Over-engine platform or in the dump body

Standard features (WTA-175-01):

- Hose connections
- Platform mount

Mounting options (WTA-175-01):

- On the platform only

Tractor requirements (WTA-175-01):

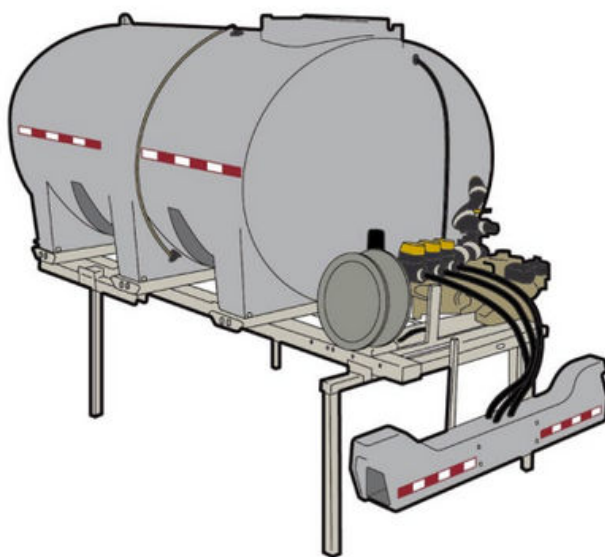
- Over-engine platform

Compatible Machines:

- WTA-100-01: C70 – C270
- WTA-150-01: S75 – S100 – S130
- WTA-175-01: C70 – C270
- WTA-250-01: S75 – S100 – S130

BRINE SPRAYER

If you have brine to spread or are tasked with cleaning sports grounds and small parks, the brine sprayer attachment is for you.



Specification	BSP-250-75
Total Volume	250 gal (946 L)
Length	81" (2057 mm)
Width	48" (1219 mm)
Height	39" (991 mm)
Weight (Empty)	475 lb (215 kg)
Frame Type	Stainless Steel
Hose Length	100' (30 m)
Mounting	4 Tie-Down Slots
Tank Type	Single-Piece Roto Mold HDPE
Spray Gun Type	Adjustable Jet/Fan
Power Requirements	70 HP – 130 HP (52 kW – 97 kW)
Tractor Fit (Holder)	S75 – S100 – S130



Standard features:

- Double spray bar system
- Baffle ball surge control
- Fast fill system
- Tri-zone spray selection
- Auto drain sump base
- Built-in fork slots
- Rust armor stainless frame

Available options:

- Storage stands & lights
- Securing bar
- Pump options: high flow 12-volt, gas or hydraulic

Tractor requirements:

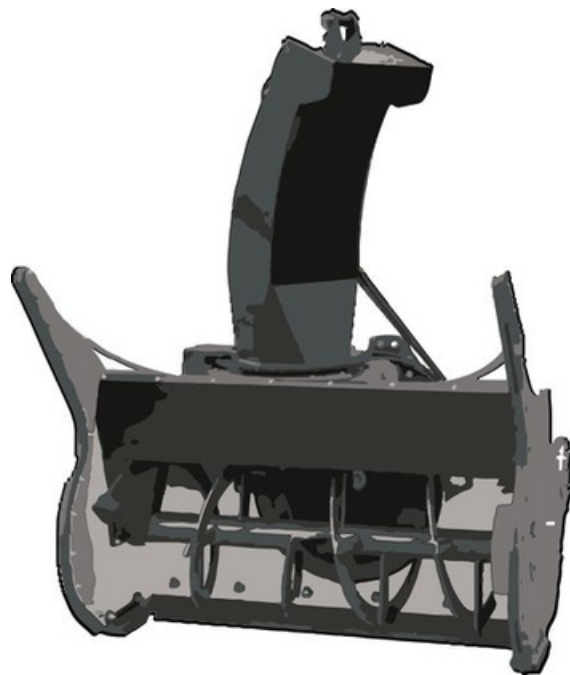
- Over-engine platform

Compatible Machines:

- BSP-250-75: S75 – S100 – S130

SINGLE AUGER BLOWER

The single auger blower is great at removing light to moderate snow. This blower can be operated safely and with ease. The direct-drive chute reduces the number of moving parts. The enclosed auger chain keeps dirt and debris out.



Technical Data	BSA-051-01
Clearing width	50.25" (1,280 mm)
Overall width	52" (1,320 mm)
Overall height	77" (1,960 mm)
Weight	1,130 lb (513 kg)
Cutting auger diameter	19" (480 mm)
Impeller diameter	5 blades 24" x 9" (610 mm x 230 mm)
Oil requirements	11/25 gpm (45/95 l/min) for hydraulic version
Power requirements	40 HP (30 kW)



Standard features:

- Powder coated (orange/yellow)
- 540/1000 rpm gearbox
- Hardox cutting edge
- Skid shoes

Available options:

- Truck load chute
- Custom colours
- Quick attach plate
- Telescopic chute
- Hardox chute
- Hardox impeller
- 4140 hardened adjustable skid shoes
- Carbide cutting edge
- Adjustable skid shoes (hardox)
- Hydraulic options available
- Custom sizes available

Tractor requirements:

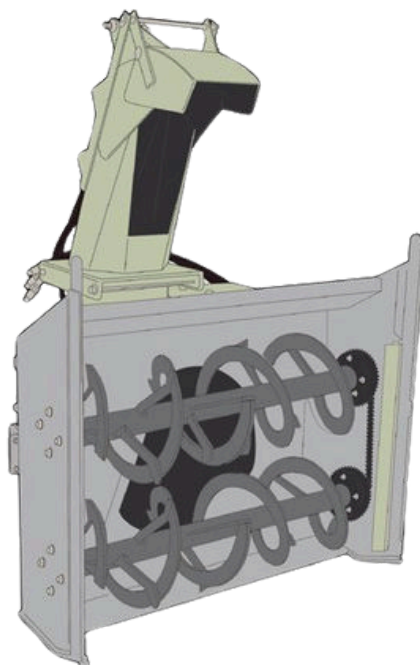
- CAT I | CAT II (3-point hitch)

Compatible machines:

- BSA-051-01: C70

DOUBLE AUGER BOX BLOWER

The double auger box blower, also known as a twin auger box blower, is ideal for cutting through compact, hardened snow and ice. The quick disconnect chute makes it simple to clean and maintain. The Holder C 70 box blowers are available in 44", 50" and 60" clearing widths.



MODEL	BBX-044-01	BBX-050-01	BBX-060-01
TOTAL WIDTH	44" (1120 mm)	50" (1270 mm)	60" (1524 mm)
CLEARING WIDTH	44" (1120 mm)	50" (1270 mm)	60" (1524 mm)
TOTAL HEIGHT	76" (1930 mm)		
HOUSING HEIGHT	39" (990 mm)		
WEIGHT	760 lb (344 kg)	880 lb (399 kg)	1095 lb (496 kg)
CHUTE	HYDRAULIC w/ HYDRAULIC FLAP		
CHUTE ROTATION	270°		
DRIVE ASSEMBLY	SIDE DRIVE VIA GEARBOX & CHAIN		
GEARBOX: 540 RPM & 1000 RPM	YES		
OVERLOAD PROTECTION	SHEAR PINS		
CUTTING AUGER DIAMETER	15" (381 mm)		
IMPELLER DIAMETER	24" x 8" (609 mm x 203 mm)		
NUMBER OF BLADES	3 (OPTIONAL 5)		
POWER REQUIREMENTS	40 HP (30 kW)		
TRACTOR FIT (HOLDER)	C70 - C270	C70 - C270 - S75 - S100 - S130	C70 - C270 - S75 - S100 - S130



Standard features:

- HQWRS cutting edges
- HQWRS skid shoes
- Ice breaker auger tips
- Flat face couplings

Available options:

- 60" (1,524 mm) truck loading chute extension
- For all BBX snowblowers (BCE-061-01)
- Additional sizes available

Tractor requirements:

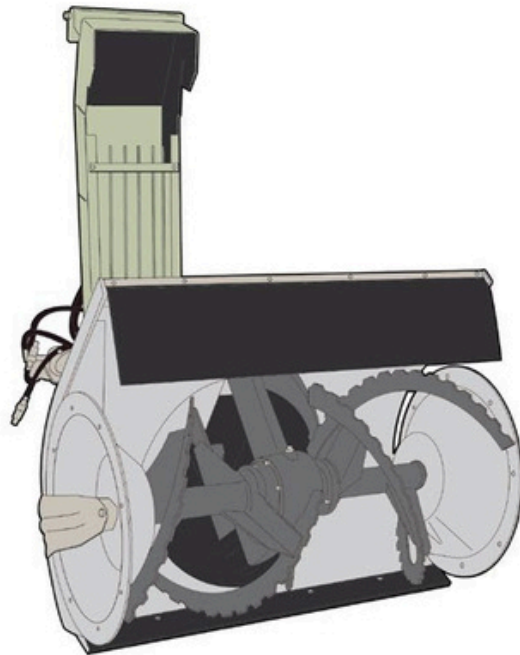
- CAT I | CAT II (3-point hitch)
- 1 set of hydraulic quick couplers (double acting)
- 1 3/8" - 6 spline PTO shaft 540 rpm
- Counterweight

Compatible Machines:

- BBX-044-01: C70 – C270
- BBX-050-01: C70 – C270 – S75 – S100 – S130
- BBX-060-01: C70 – C270 – S75 – S100 – S130

RIBBON BLOWER

The ribbon blower can effortlessly throw snow to great heights, whether you're dealing with heavy wet snow or ice. The ribbon blower can also be customized with various chute options, including an extended chute and a telescopic chute.



MODEL	BCD-051-03	BCD-059-02
TOTAL WIDTH	51" (1300 mm)	59" (1500 mm)
CLEARING WIDTH	51" (1300 mm)	59" (1500 mm)
TOTAL HEIGHT	82.6" (2100 mm)	
HOUSING HEIGHT	35.4" (900 mm)	
WEIGHT	992 lb (450 kg)	1091 lb (495 kg)
CHUTE	HYDRAULIC w/ 2 HYDRAULIC FLAPS	
CHUTE ROTATION	210°	
DRIVE ASSEMBLY	DIRECT DRIVE VIA GEAR BOX	
OVERLOAD PROTECTION	A CAM-TYPE CUT-OUT CLUTCH BETWEEN AXLE GEAR & BLOWER WHEEL	
PTO	SHEAR PIN	
AUGER DIAMETER	25.6" (650 mm)	29.5" (750 mm)
IMPELLER DIAMETER	23.6" (600 mm)	
NUMBER OF BLADES	5	
POWER REQUIREMENTS	45 HP – 130 HP (33 kW – 95 kW)	
TRACTOR FIT (HOLDER)	C70 – C270	C992 – S75 – S100 – S130



Standard features:

- HQWRS cutting edges
- HQWRS skid shoes
- Wear resistant exchangeable plate insert in the impeller housing
- Flat face couplings

Available options:

- Hydraulic top link
- 39" (1,000 mm) chute extension (BCE-039-01)
- Truck loading chute w/ double flap (TLC-039-01)
- Additional sizes available

Tractor requirements:

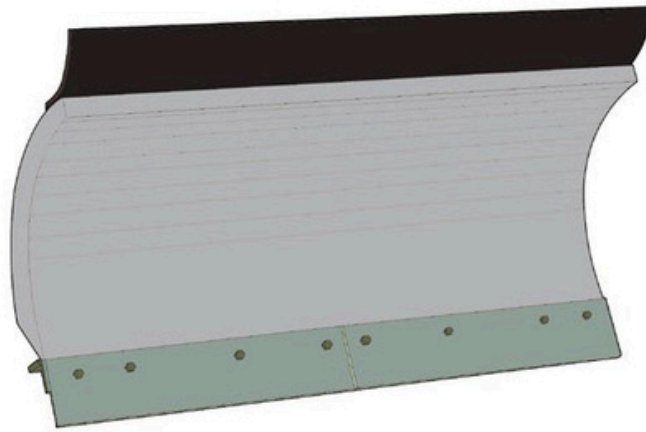
- CAT I | CAT II (3-point hitch)
- 1 set of hydraulic quick couplers (double acting)
- 1 3/8" - 6 spline PTO shaft 540 rpm
- Counterweight

Compatible machines:

- BCD-051-03: C70 – C270
- BCD-059-02: S75 – S100 – S130

ANGLE PLOW

Whether you're removing snow in downtown cores or in suburban areas the angle plow will clear the way. Keep your sidewalks and paths free of snow and ice. The angle plow comes with various cutting edge options including carbide, stainless steel and more.



MODEL	PAN-050-10	PAN-055-10	PAN-058-10	PAN-060-10
TOTAL WIDTH	50" (1270 mm)	55" (1397 mm)	58" (1473 mm)	60" (1524 mm)
STRAIGHT CLEARING WIDTH	50" (1270 mm)	55" (1397 mm)	58" (1473 mm)	60" (1524 mm)
ANGLED 30°	43" (1092 mm)	47" (1193 mm)	50" (1270 mm)	52" (1320 mm)
HEIGHT	36" (920 mm)			
MOULDBOARD HEIGHT	27" (680 mm)			
MOULDBOARD THICKNESS	11 GAUGE			
WEIGHT	525 lb (240 kg)	550 lb (250 kg)	564 lb (256 kg)	575 lb (261 kg)
NUMBER OF TRIP SECTIONS	2 x 30" (762 mm)			
POWER REQUIREMENTS	40 HP – 93 HP (30 kW – 70 kW)			
TRACTOR FIT (HOLDER)	C70 – C270	C70 – C270 – S75 – S100 – S130	C70 – C270 – S75 – S100 – S130	C70 – C270 – S75 – S100 – S130



Standard features:

- AR 400 steel cutting edge
- Flat face couplings
- Rubber deflector
- Hydraulic angling

Available options:

- Extra lights
- Warning flags
- Castor wheels
- Curb wear block
- Additional sizes available

Available cutting-edge options:

- Hardox ■ Rubber ■ Vulkollan ■ Carbide ■ PU ■ Corundum ■ Stainless steel

Tractor requirements:

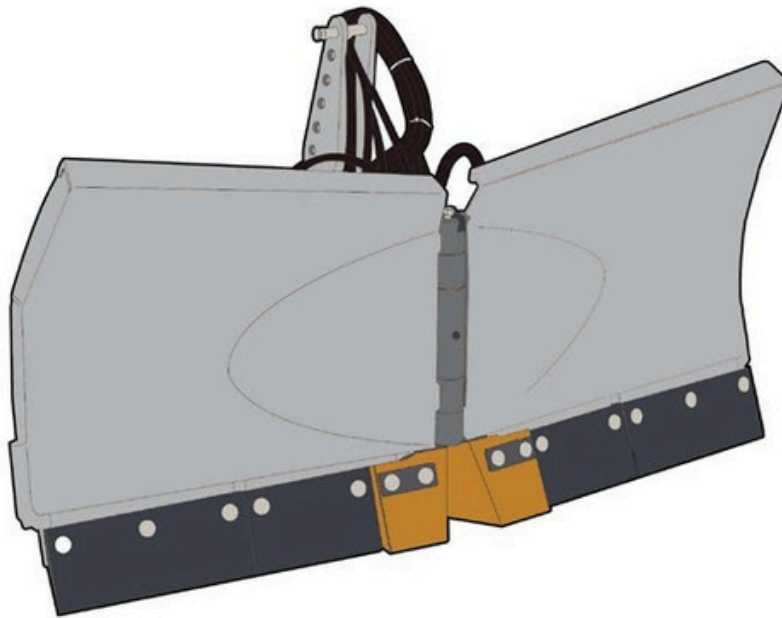
- CAT I | CAT II (3-point hitch)
- 1 set of hydraulic quick couplers (double acting)

Compatible machines:

- PAN-050-10: C70 – C270
- PAN-055-10: C70 – C270 – S75 – S100 – S130
- PAN-058-10: C70 – C270 – S75 – S100 – S130
- PAN-060-10: C70 – C270 – S75 – S100 – S130

FOLDING V-PLOW

Easily navigate around garbage cans, lamp posts, fire hydrants and other obstacles while clearing snow. The ability to set the folding v-plow in up to five different positions provides the operator with more control and flexibility.



MODEL	PFO-055-01	PFO-061-01	PFO-066-01	PFO-071-01
TOTAL WIDTH	55" (1400 mm)	61" (1520 mm)	66" (1680 mm)	70" (1780 mm)
STRAIGHT CLEARING WIDTH	55" (1400 mm)	61" (1520 mm)	66" (1680 mm)	70" (1780 mm)
ANGLED 30°	48" (1220 mm)	52" (1320 mm)	58" (1470 mm)	61" (1550 mm)
HEIGHT	33.5" (851 mm)	33.5" (851 mm)	33.5" (851 mm)	33.5" (851 mm)
MOULDBOARD HEIGHT	30" (762 mm)	30" (762 mm)	30" (762 mm)	30" (762 mm)
MOULDBOARD THICKNESS	11 GAUGE	11 GAUGE	11 GAUGE	11 GAUGE
WEIGHT	519 lb (235 kg)	546 lb (248 kg)	573 lb (260 kg)	605 lb (275 kg)
POWER REQUIREMENTS	35 HP (26 kW)	40 HP (30 kW)	40 HP (30 kW)	60 HP (45 kW)
TRACTOR FIT (HOLDER)	C70 – C270	C70 – C270 – S75 – S100 – S130	C70 – C270 – S75 – S100 – S130	S75 – S100 – S130



Standard features:

- Hardox cutting edge
- Flat face hydraulic couplings
- Powder coated
- Hydraulic angling
- Skid shoes
- 5 positions

Available options:

- Extra lights
- Warning flags
- Castor wheels
- Curb wear block
- Additional sizes available

Available cutting-edge options:

- Stainless steel ■ Rubber ■ Vulkollan ■ Carbide
- PU ■ Corundum ■ UHMW ■ Mild steel

Tractor requirements:

- CAT I | CAT II (3-point hitch)
- 1 set of hydraulic quick couplers (double acting)

Compatible machines:

- PFO-055-01: C70 – C270
- PFO-061-01: C70 – C270 – S75 – S100 – S130
- PFO-066-01: C70 – C270 – S75 – S100 – S130
- PFO-071-01: S75 – S100 – S130

PLOW-BROOM COMBO

Should you sweep or plow your snow? Luckily with the plow-broom combination attachment you don't have to choose. This two-in-one feature allows you to easily switch between sweeping and plowing modes.



Technical Data	PBC-063-01	PBC-078-01
Overall Length	47.25" (1,200 mm)	47.25" (1,200 mm)
Overall Width	63" (1,600 mm)	78.75" (2,000 mm)
Overall Height	32.50" (825 mm)	32.50" (825 mm)
Clearing Width (Straight)	63" (1,600 mm)	78.75" (2,000 mm)
Clearing Width (Angled 30°)	54.75" (1,390 mm)	68" (1,730 mm)
Sweeping Width (Straight)	55" (1,400 mm)	71" (1,800 mm)
Sweeping Width (Angled 30°)	50" (1,260 mm)	63" (1,600 mm)
Swivel Area	Approx. 32° left/right	Approx. 32° left/right
Weight	595 lb (370 kg)	992 lb (450 kg)
Oil Consumption	6.6 gpm (25 l/min)	6.6 gpm (25 l/min)



Standard features:

- Adjustable speed
- Mechanical collision protection
- Maintenance-free drive motor
- Rubber scraper blade

Available options:

- Polyurethane scraper blade
- Sweeping rollers (summer-winter setup)
- Water spray bar above the sweeping roller

Tractor requirements:

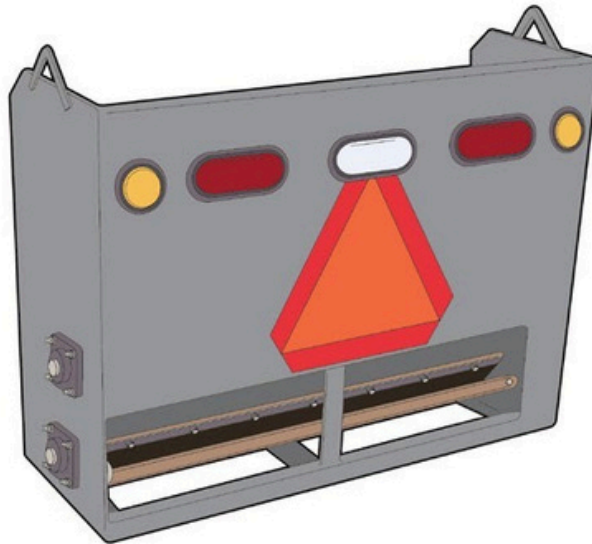
- CAT I | CAT II (3-point hitch)
- Flow divider 0-6.6 gpm

Compatible machines:

- PBC-063-01: C70
- PBC-078-01: C70

DROP SPREADER

This rear mounted drop spreader does not spray material, rather its intended purpose it to drop salt, sand, etc. directly in the path that it follows. Dropping these de-icing materials allows the operator to distribute material in a more concentrated and consistent manner, ensuring a more accurate and even spread.



Model	SAD-033-01	SAD-050-01	SAD-062-01	SAD-050-75
Capacity	0.33 cu yard (255 L)	0.5 cu yard (382 L)	0.62 cu yard (478 L)	0.33 cu yard (255 L)
Width	40" (1016 mm)	44" (1117 mm)	52" (1320 mm)	44" (1117 mm)
Length	15" (381 mm)	-	-	-
Height	30.5" (774 mm)	36" (914 mm)	37" (939 mm)	-
Weight	350 lb (159 kg)	430 lb (195 kg)	485 lb (220 kg)	380 lb (172 kg)
Depth	16" (406 mm)	22" (558 mm)	16" (406 mm)	-
Spreading Width	36" (914 mm)	40" (1016 mm)	48" (1219 mm)	40" (1016 mm)
Material Type	Salt - Sand - Mix	Salt - Sand - Mix	Salt - Sand - Mix	Salt - Sand - Mix
Power Requirements	40 HP (30 kW)	40 HP (30 kW)	40 HP (30 kW)	40 HP (30 kW)
Tractor Fit (Holder)	C70 - C270	C992	S100 - S130	S75



Standard features:

- Flat face couplings
- HQWRS housing material
- Stainless steel cams on the roll shaft
- LED: brake lights, reverse lights & signal lights
- Adjustable material flow rate

Available options:

- Stainless steel
- Spill protector/enhancer
- Tarp/cover
- Support stand (set of 3) DSS-000-01*

Tractor requirements:

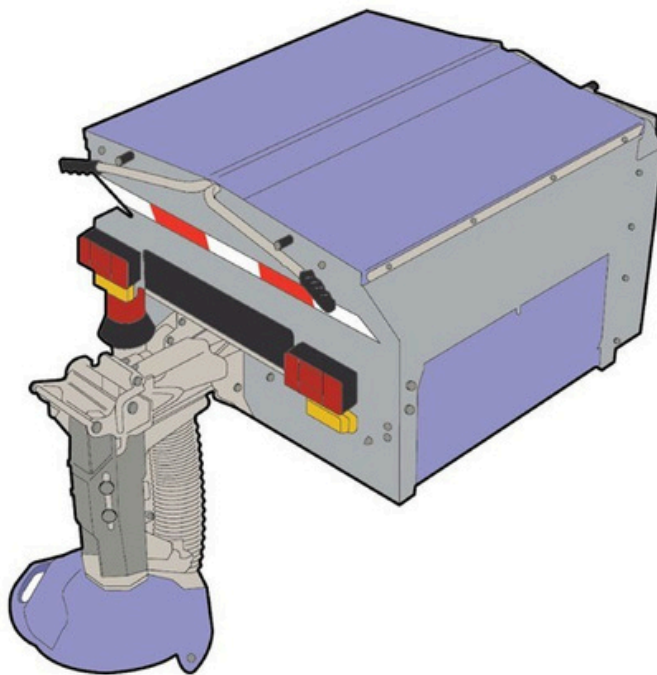
- Rear bumper
- Flow divider 1

Compatible machines:

- SAD-033-01: C70 – C270
- SAD-050-01: C992
- SAD-062-01: S100 – S130
- SAD-050-75: S75

BROADCAST SPREADER

This over-engine broadcast spreader is the perfect attachment when trying to cast a wide range of anti-icing or de-icing material. The multimatic digital controls allow the operator to adjust the speed, concentration, and spray width of the dosage.



Specification	Details
Hopper Volume	0.85 cu yard (0.65 m ³)
Delivery Method	Auger w/ Agitator
Spreading Method	Adjustable Spinner Disc
Spreading Width	3' - 19' (1 m - 8 m)
Spreading Dosage	5-250 g / m ² w/ 5g / m ² step
Spinner Disc	Stainless Steel ø 25" (647 mm)
Mounted Height	+/- 76" (1930 mm) (Depending on Tires)
Weight (Empty)	992 lb (450 kg)
Material Type	Salt - Sand - Grit
Power Requirements	45 HP - 74 HP (33 kW - 55 kW)
Tractor Fit (Holder)	C70 - C270



Standard features:

- Dry spreading system
- Flat face couplings
- Work light
- Stainless steel spinner disc & agitator
- Mesh screen
- Foldable tarpaulin cover
- Rear splash guard
- Support legs w/ castor wheels

Available options:

- Pre-wet module
- Additional beacon light
- Rear camera

Multimatic digital control box:

- Dosage
- Spraying width
- Hours counter
- Daily logs
- Material & distance counter
- Service functions

Tractor requirements:

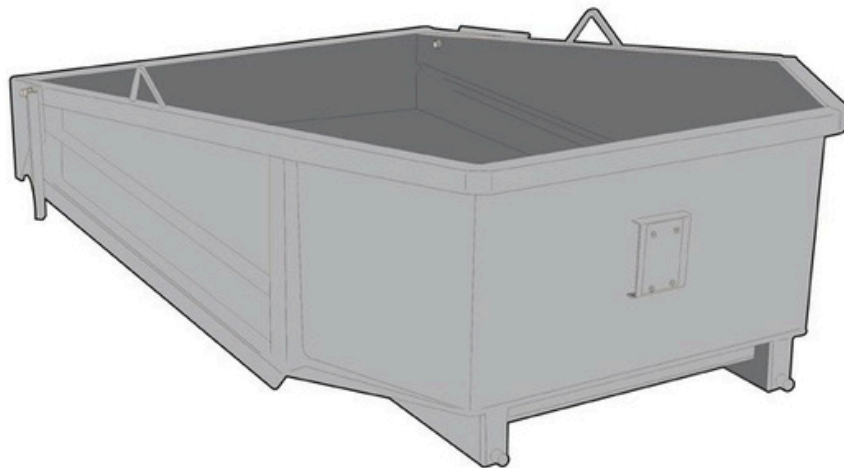
- Over-engine platform
- High-flow pump (minimum 13 gpm (50 l/min) is required)

Compatible machines:

- SAB-085-01: C70 – C270

DUMP BODY

Transport materials, tools, equipment, and more, safely and efficiently with the over-engine dump body. This custom fitted dump body was designed specifically to work with the rear-mounted drop spreader. Carry more material, stay out longer by minimizing the need to restock and greatly reduce downtime.



Specification	DBO-033-01	DBO-100-02	DBO-100-100	DBO-100-75
Width	38" (965 mm)	42" (1066 mm)	50" (1270 mm)	45" (1143 mm)
Length	46.5" (1181 mm)	63" (1600 mm)	68" (1727 mm)	68" (1727 mm)
Height Tapered Front – Rear	22.5" (571 mm)	20" (508 mm)	22" (558 mm)	23" (584 mm)
Weight	230 lb (104 kg)	295 lb (133 kg)	315 lb (143 kg)	305 lb (138 kg)
Capacity	0.33 cu yard (252 L)	1 cu yard (765 L)	1.1 cu yard (841 L)	1 cu yard (765 L)
Tractor Fit (Holder)	C70 – C270	C992	S100 – S130	S75



Standard features:

- 11-gauge steel
- Tapered side walls
- Removable tailgate
- Powder coated
- HQWRS housing material

Available options:

- Stainless steel

Tractor requirements:

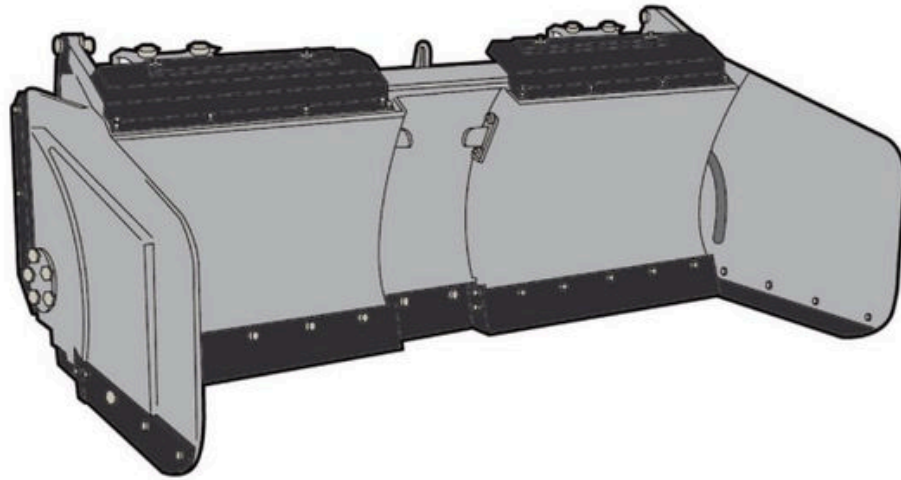
- Over-engine platform

Compatible machines:

- DBO-033-01: C70 – C270
- DBO-100-02: C992
- DBO-100-100: S100 – S130
- DBO-100-75: S75

HYDRAULIC ANGLE PLOW

Efficiently plow snow off city roads in urban and suburban areas. Designed to withstand harsh conditions, tackle any winter obstacle with a Hydraulic Angle Plow attachment.



Standard features:

- 11-gauge steel
- Tapered side walls
- Removable tailgate
- Powder coated
- HQWRS housing material

Available options:

- Stainless steel

Tractor requirements:

- Over-engine platform

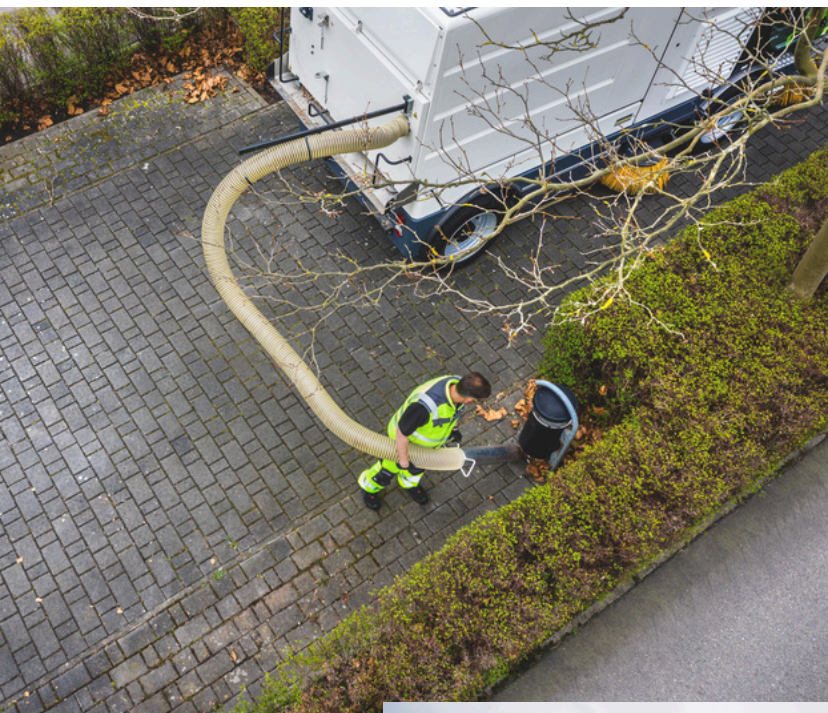
Compatible machines:

- DBO-033-01: C70 – C270
- DBO-100-02: C992
- DBO-100-100: S100 – S130
- DBO-100-75: S75

Specification	WAP-610-10
Clearing Width (Closed)	65.5" (1663 mm)
Clearing Width (Open)	120.5" (3060 mm)
Height	28" (711 mm)
H.D. Snow Gates	25" (635 mm)
Weight	1405 lb (637 kg)
Power Requirements	70 HP (52 kW)
Tractor Fit (Holder)	S75 – S100 – S130

AND MANY MORE ...

There are attachments available for practically any task. If you require a specific attachment, contact your local Kärcher Municipal representative, or your local dealer. They will be happy to help you find the right tool for your job.



YOUR TEAM DESERVES THE BEST EQUIPMENT FOR THE JOB

Let Americhem be your first call for all of your equipment needs.

THE AMERICHEM DIFFERENCE



- ★ Experienced Equipment Specialists
- ★ Dedicated Divisional Service & Equipment Manager
- ★ Factory Certified Technicians
- ★ Complimentary Training On All Equipment Sales
- ★ Planned Service Programs
- ★ Fleet of Service Vehicles
- ★ Multiple Full-Service Repair Shops

Authorized Service for Leading Manufacturers



 **AMERICHEM**
YOUR PARTNER IN CLEAN
(800) 262-4360 | www.americhem.net



**YOUR
PARTNER IN
Clean™**

Sales - Rentals - Service - Parts

800-262-4360 | www.americhem.net